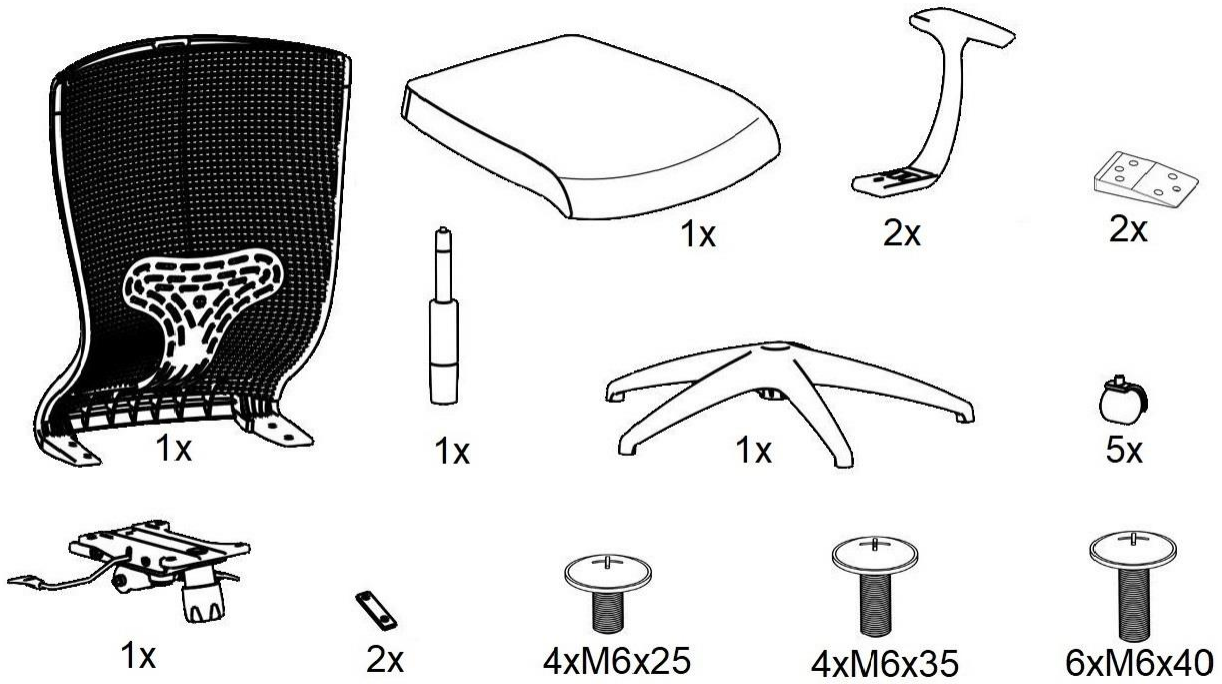
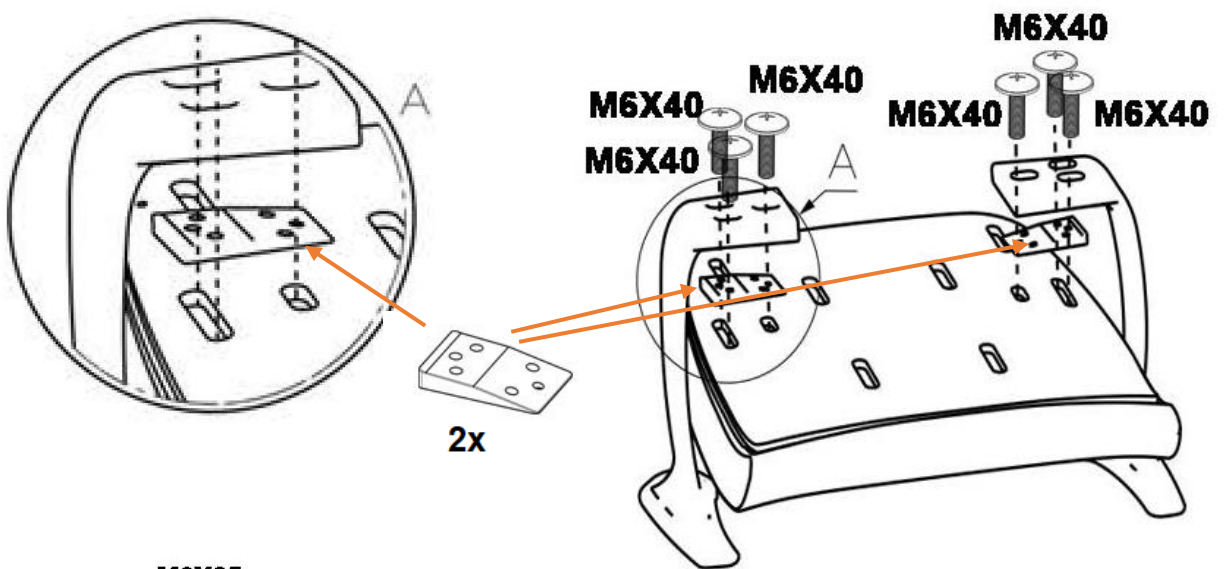


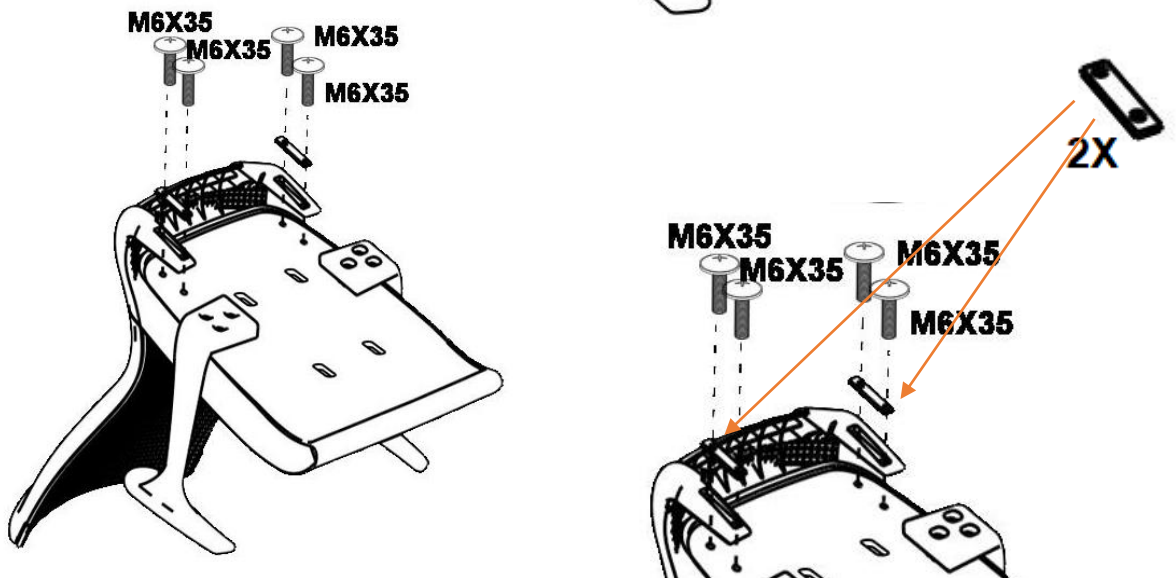
QUATRO 100T



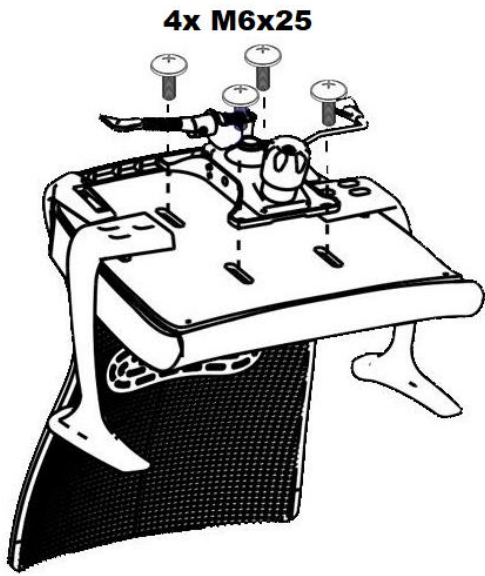
1.



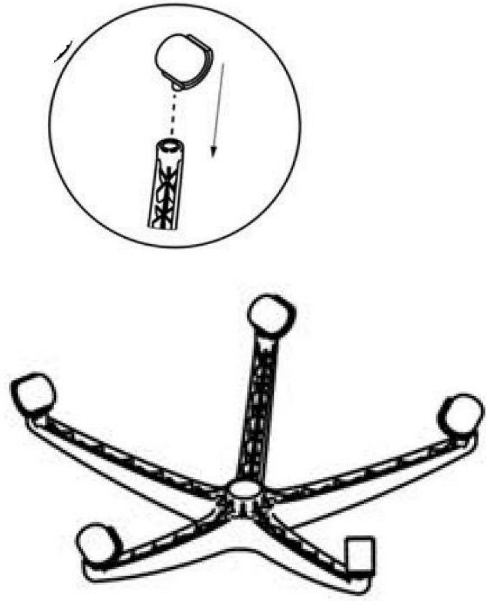
2.



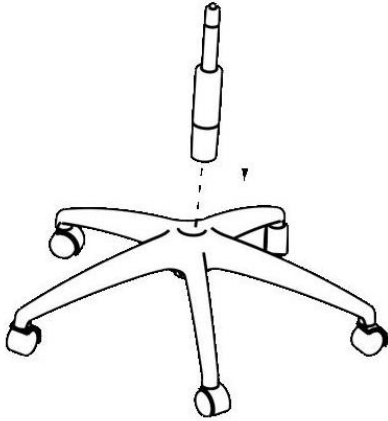
3.



4.



5.



6.

